

// WELCOME TO BRITISH FIRES

Uncompromising Quality. The design and development has this one mindset which drives us to deliver exceptional products.

Our aim is simple – to help you create a beautiful and vibrant environment for you to enjoy.

// ELECTRIC WALL INSETS

New Forest 870

New Forest 1200

New Forest 1600

New Forest 2400



// NEW FOREST 870

// Features:

Award-winning LED flame-effect technology

Three installations options

Three Fuel-bed arrangement options

Adjustable lighting & Flame-effects

Daily and weekly timer options

Optional Upgrade: Deluxe Real Logs

// Dimensions:

Width 870mm

Height 463mm

Depth 311mm

// Product specifications:

Heat output: 1500W

Supply voltage: 220-240V AC

Rating power: 50Hz

Lighting: LED

See page 51 for additional dimensions



// NEW FOREST 1200

// Features:

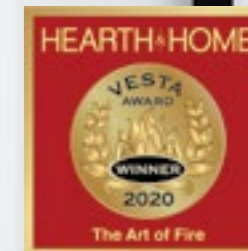
- Award-winning LED flame-effect technology
- Three installation options
- Three Fuel-bed arrangement options
- Adjustable lighting & Flame-effects
- Daily and weekly timer options
- Optional Upgrade: Deluxe Real Logs

// Dimensions:

Width	1200mm
Height	563mm
Depth	311mm

// Product specifications:

Heat output:	1500W
Supply voltage:	220-240V AC
Rating power:	50Hz
Lighting:	LED
See page 51 for additional dimensions	



// NEW FOREST 1600

// Features:

- Award-winning LED flame-effect technology
- Three installation options
- Three Fuel-bed arrangement options
- Adjustable lighting & Flame-effects
- Daily and weekly timer options
- Optional Upgrade: Deluxe Real Logs

// Dimensions:

Width	1600mm
Height	563mm
Depth	311mm

// Product specifications:

Heat output:	1500W
Supply voltage:	220-240V AC
Rating power:	50Hz
Lighting:	LED
See page 51 for additional dimensions	



// NEW FOREST 2400

// Features:

Award-winning LED flame-effect technology

Three installations options

Three Fuel-bed arrangement options

Adjustable lighting & Flame-effects

Daily and weekly timer options

// Dimensions:

Width 2375mm

Height 563mm

Depth 311mm

// Product specifications:

Heat output: 1500W (2x)

Supply voltage: 220-240V AC (2x)

Rating power: 50Hz (2x)

Lighting: LED

See page 51 for additional dimensions



// 2020 HEARTH & HOME
VESTA AWARD WINNER
THE ART OF FIRE



// FOREST VIEW

The signature logs are crafted from high-quality materials that perfectly form together and capture every detail you would expect to see in a log found whilst walking in the New Forest National Park, U.K.

A hand painted finish brings the logs to life and subtly delivers a real presence.

The technically advanced rear glass perfectly mimics every detail of the fuel bed to further enhance a stunning visual appearance that creates an infinity effect and makes you question the true depth of the New Forest fire.

// SLATE VIEW

A dynamic way to enhance the lighting of the New Forest logs is with the Slate View. To introduce more light from underneath the fuel-bed tray is flooded with crystals along with several pieces of slate and finished with the signature logs. This setup allows more light and brightens the overall focal point.

One setting that can take you through a journey of tranquillity is the auto-transitioning of all three colours. Seamless changing of colours creates a vibrant mood and atmosphere.

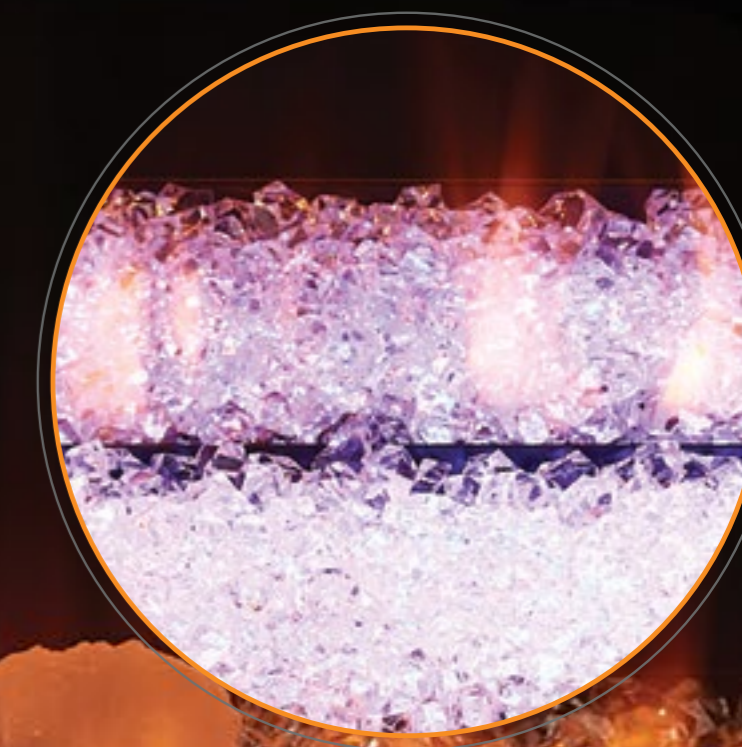
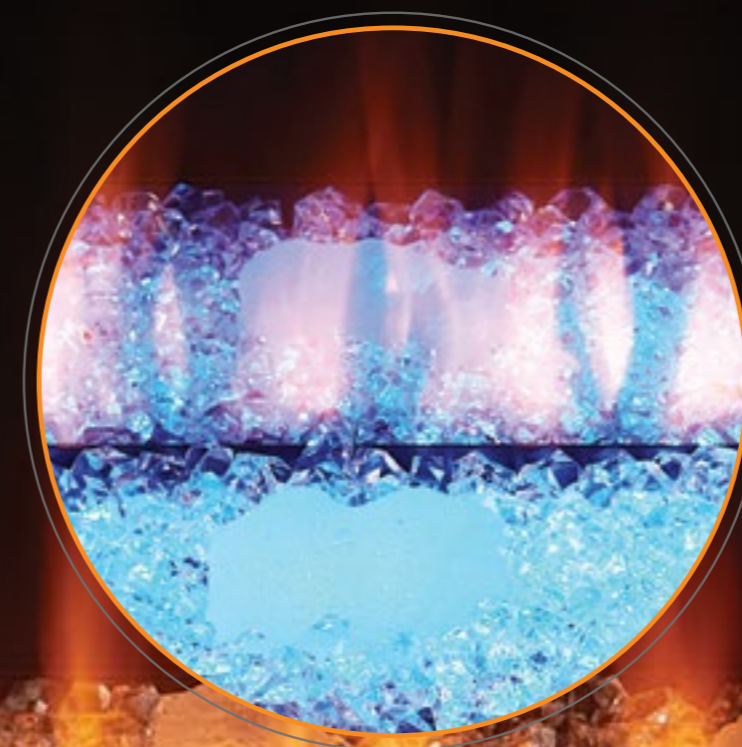
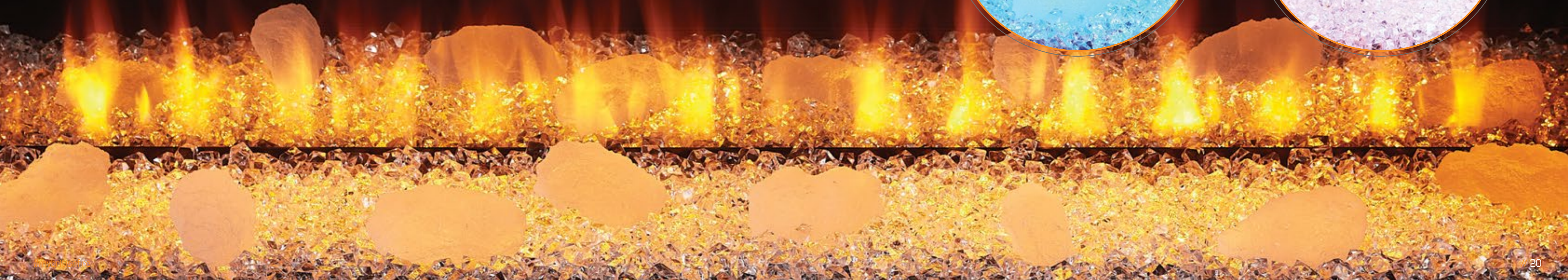
*Included with standard model



// DIAMOND LIGHT

This fuel-bed setting is all about light, colour, and flames. Small crystals, along with several larger crystals, create a sea of sparkle and sensation. Due to the absence of the New Forest logs the flame-effect's raw elegance is exposed.

*Included with standard model



// DOWNLIGHT-EFFECT

Our award-winning LED flame technology is impressive by itself. It becomes even more amazing when the down-lights are turned on. These illuminate the mirror that reflects the logs and creates a 3D-effect with the appearance of a deeper looking fuel bed.

Impress your guests with one click of a button. The down-lights create a deeper looking fuel bed and a brighter and warmer focal point for all to enjoy.

Downlight-effect Off

Downlight-effect On

// DELUXE REAL LOGS

Upgrade your view and create the ultimate experience with Deluxe Real Logs.

Each Deluxe Real Log is unique and artisanly crafted using actual logs found in nature. They really enhance an already prominent statement piece in any room and will take any viewer by surprise — especially when you tell them that they are real logs.

The development process of the Deluxe Real Logs fuel bed begins by selecting different sized logs, branches, and twigs to create a natural log layout. Then placed on a forest floor bed comprised of bark, twigs, and log remnants. A resin mix is then added into the base and cured in an oven to permanently fix the logs.

*Upgraded purchase. Not included with standard model.

Available with: 870, 1200, 1600

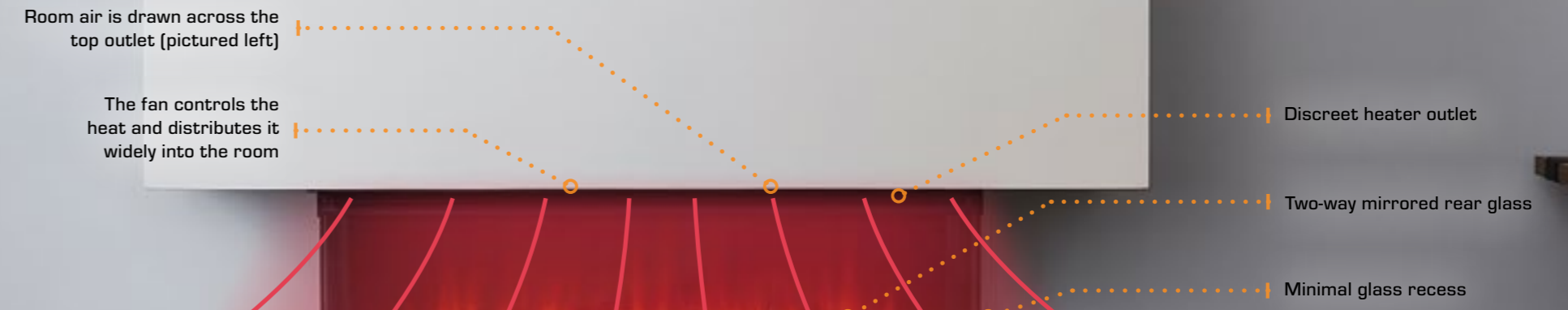


// HOW AIR CURTAIN TECHNOLOGY WORKS

Our patented Air Curtain Technology is powered by the process of circulating cooler air in and dispersing warmed air back into the room via our dual-outlet system, which is discreetly placed above the glass, creating an efficiently heated space.

AIR CURTAIN TECHNOLOGY®

UK Patent Number: GB 2583055 B



Room air is drawn across the top outlet (pictured left)

The fan controls the heat and distributes it widely into the room

Discreet heater outlet

Two-way mirrored rear glass

Minimal glass recess

// INSTALLATION TO SUIT YOU

There isn't a wrong way to install the New Forest electric fire... just your way... the possibilities are endless.

The ease of installation is obvious from the moment you start to see how diverse the options are. The Air Curtain Technology® heater system allows the New Forest fire to be fully enclosed within the structure and offers the freedom to explore all avenues.

The perfectly mastered symmetrical design of the New Forest fire delivers the most impressive installation which will guarantee to be the main focal point in any room.



FRONT-FACING



CORNERED

#mybritishfire



THREE-SIDED

// 30

// BE IN CONTROL

All of our Electric Wall Inset and Suite models are equipped with a remote control that bridges the connection between you and their many features. Each button displays an icon that indicates it's function allowing to easily change any setting.

Open window detection

If there is a sudden drop in temperature of 5°C or more within a ten minute period, the heater will automatically turn off to preserve energy. Look out for the OP sign on the digital display to show this has been activated. The heater will start up again once the temperature in the room rises or you choose to manually turn it back on.

Thermostatic heating

The Air Curtain Technology® heater system is thermostatically controlled using the remote handset which displays the current setting on the LCD screen. Choose a temperature between 17° and 27°C and the fire will do the work to heat the room to your desired temperature.



Flame control

Choose from four settings to adjust the brightness of the flame to suit your mood. Watch as the flames change brightness and height.

Down lighting

Select to have the carefully placed spot lights on and see every detail of the fire. Turn them off and you will see how relaxing the fuel bed can really be.

Fuel bed colour change

Cycle through all of the three colours that each provide a unique style. Can't decide...the cycle setting will flow through all the colours for you.

Daily and weekly timer

Set the fire to provide you with heat on any day throughout the week. The seven-day programmable calendar will remember your settings and will activate the thermostatic heater on each day and every week for when you need the New Forest fire the most.

Timer boost

A range of settings between one and nine hours can be selected to turn the heater on for a desired length of time.

* New Forest models: 870, 1200, 1600, 2400
Suite models: Brockenhurst, Winchester



// ELECTRIC SUITES

Brockenhurst Electric Suite

Winchester Electric Suite



// BROCKENHURST

// Features:

- Solid, seamless, and light-weight MDF suite
- Unique and realistic painted marble-effect
- Three Fuel-bed arrangement options
- Adjustable lighting & Flame-effects
- Daily and weekly timer options
- Optional Upgrade: Deluxe Real Logs

// Dimensions:

Width	1400mm
Height	536mm
Depth	404mm

// Product specifications:

Heat output:	1500W
Supply voltage:	220-240V AC
Rating power:	50Hz
Lighting:	LED

See page 52 for additional dimensions

// Colour Options:



// WINCHESTER

// Features:

- Solid, seamless, and light-weight MDF suite
- Unique and realistic painted marble-effect
- Three Fuel-bed arrangement options
- Adjustable lighting & Flame-effects
- Daily and weekly timer options
- Optional Upgrade: Deluxe Real Logs

// Dimensions:

Width	1200mm
Height	611mm
Depth	404mm

// Product specifications:

Heat output:	1500W
Supply voltage:	220-240V AC
Rating power:	50Hz
Lighting:	LED
See page 52 for additional dimensions	

// Colour Options:



// SEAMLESS JOINTS

A suite made of the latest in MDF technology is the only way to dress the Brockenhurst fire. Light in weight, and strong in both appearance and durability, the chamfered-edge design is a detail we added to bring a touch of charm to any room.

The MDF construction methods are eco-friendly and the materials that are used are sustainable.

// HAND-PAINTED

It looks like marble but, it isn't. By using a meticulous hand painting technique to create the marble-effect we are able to give the appearance of solid marble on a light, yet strong MDF suite.



// ELECTRIC STOVES

Bramshaw Electric Stove

Ashurst Electric Stove



// BRAMSHAW

// Features:

- Three-sided viewing
- Adjustable Flame-effects
- Two fuel-bed options:
 - Moulded Log (fixed)
 - Loose Logs on ash fuel-bed
- Openable door conceals buttons to the functions of the fire
- Optional Stove for added realism

// Dimensions:

Width	400mm
Height	1013mm (w/ stand)
Depth	312mm

// Stove Pipe Dimensions:

Width	(pipe) 153mm
	(wall bracket) 200mm
Height	695mm
Depth	253mm

// Product specifications:

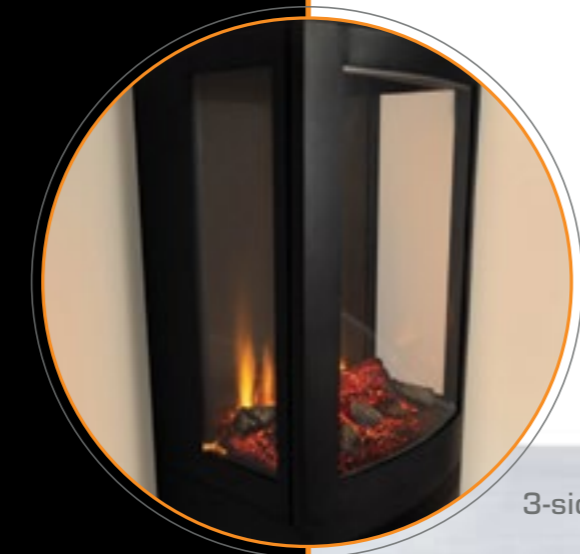
Heat output:	2000W
Supply voltage:	220-240V AC
Rating power:	50Hz
Lighting:	LED
See page 52 for additional dimensions	



Optional: Stove Pipe



Wall Hung



3-sided viewing



Log Stand



Base Stand

// ASHURST

// Features:

- Face-on viewing
- Adjustable Flame-effects
- Two fuel-bed options:
 - Moulded Log (fixed)
 - Loose Logs on ash fuel-bed
- Openable door conceals buttons to the functions of the fire
- Optional Stove for added realism

// Dimensions:

Width	420mm
Height	951mm
Depth	420mm

// Product specifications:

Heat output:	2000W
Supply voltage:	220-240V AC
Rating power:	50Hz
Lighting:	LED
See page 52 for additional dimensions	



Optional: Stove Pipe

Stove Pipe Dimensions:

Width	(pipe) 153mm
	(wall bracket) 200mm
Height	695mm
Depth	253mm

// REAL LOG STYLE FUEL BED



// MOULDED LOG FUEL BED



// STOVE REMOTE

With a simple press of a button you can adjust the temperature, flame-effect, fuel-bed effect, and more.

The same control options are also accessible behind the door of both designs.

A digital display will appear inside the fire showing your current selection and will disappear moments after.

Flame control

Choose from the four settings to adjust the brightness of the flame to suit your mood. Watch the flames change brightness and height on the back screen.

Daily and weekly timer

Set the fire to provide you with heat on any day throughout the week. The seven-day programmable calendar will remember your settings and will activate the thermostatic heater on each day and every week for when you need the New Forest fire the most.

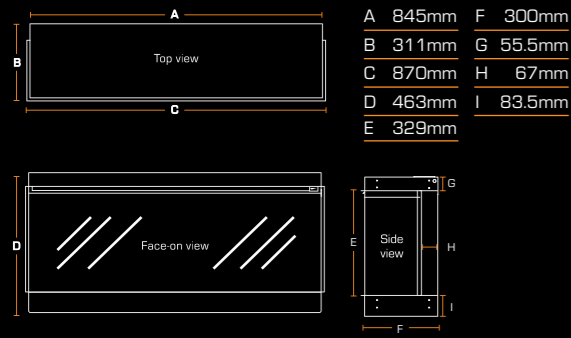
Thermostatic heating

The heater system is thermostatically controlled using the remote handset and displays the setting inside the fire. Choose a temperature between 17°C and 27°C and the fire will do the work to heat the room up effectively to reach the desired temperature.



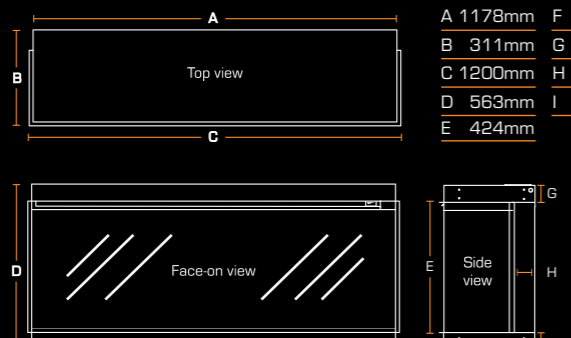
// PRODUCT DIMENSIONS

New Forest 870



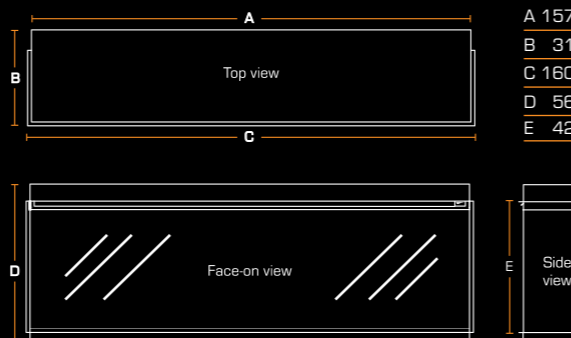
A	845mm	F	300mm
B	311mm	G	55.5mm
C	870mm	H	67mm
D	463mm	I	83.5mm
E	329mm		

New Forest 1200



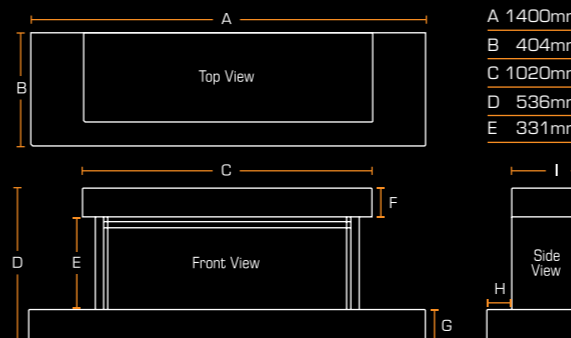
A	1178mm	F	300mm
B	311mm	G	55.5mm
C	1200mm	H	67mm
D	563mm	I	83.5mm
E	424mm		

New Forest 1600



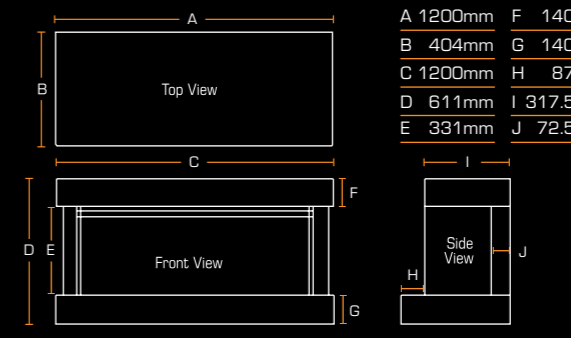
A	1576mm	F	300mm
B	311mm	G	55.5mm
C	1600mm	H	67mm
D	563mm	I	83.5mm
E	424mm		

Brockenhurst Suite



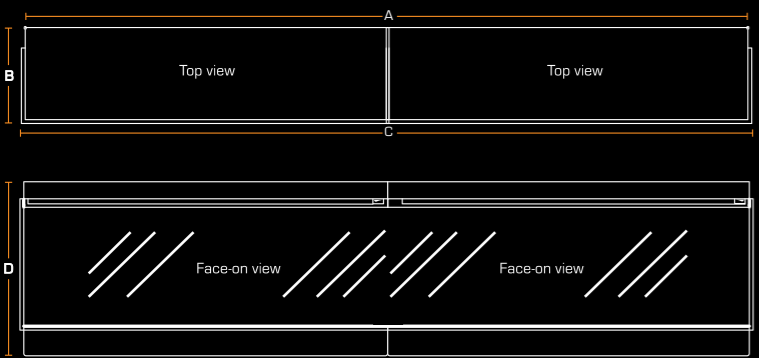
A	1400mm	F	100mm
B	404mm	G	105mm
C	1020mm	H	87mm
D	536mm	I	317.5mm
E	331mm	J	72.5mm

Winchester Suite



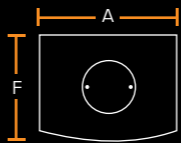
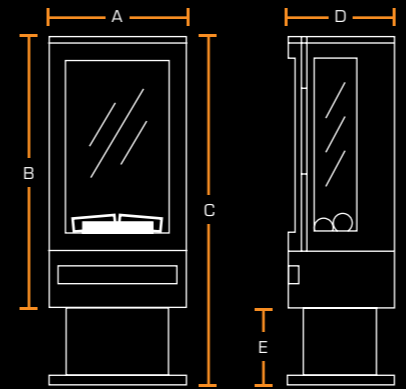
A	1200mm	F	140mm
B	404mm	G	140mm
C	1200mm	H	87mm
D	611mm	I	317.5mm
E	331mm	J	72.5mm

New Forest 2400



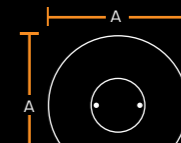
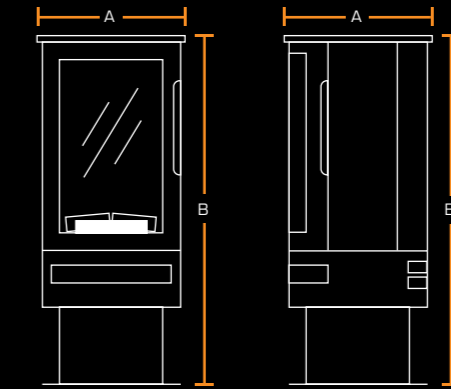
A	2352mm	F	300mm
B	311mm	G	55.5mm
C	2375mm	H	67mm
D	563mm	I	83.5mm
E	424mm		

Bramshaw Stove



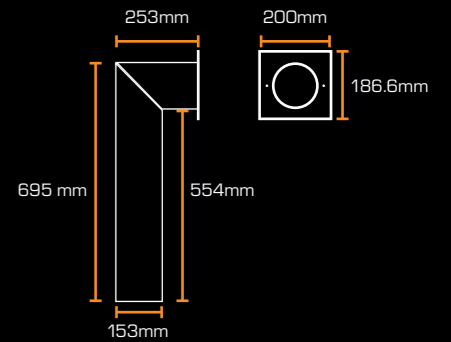
A	400mm
B	788mm
C	1013mm
D	312mm
E	225mm
F	310mm

Ashurst Stove




A	420mm
B	951mm


Stove Pipe



UK Patent Number: GB 2583055 B
 European Patent Application No. 19215407.8
 Installation: Please contact your local British Fires dealer for information on this.

// CONTACT

 +44 (0) 808 169 9911

 info@britishfires.com

 www.britishfires.com

 British Fires Ltd
Unit 10 Avon Trading Park
Christchurch
Dorset
BH23 2BT
United Kingdom

// GUARANTEE

3-year guarantee – At British Fires we pride ourselves on quality and performance, so much so that each British Fires electric product is applicable for a 3-year guarantee when purchased from Full warranty terms and conditions are available to view at: www.britishfires.com.

All appliances must be installed in a correctly ventilated space in accordance with the manufacturer's installation instructions and the rules in force. This brochure is for guidance only and is not intended to replace the installation manual, which provides more detailed information. February 2021. British Fires®

This brochure was correct at publication; however, as our policy is one of continual development and improvement, specifications may be subject to change. Any such changes will not adversely affect the performance or safety of the appliance.

